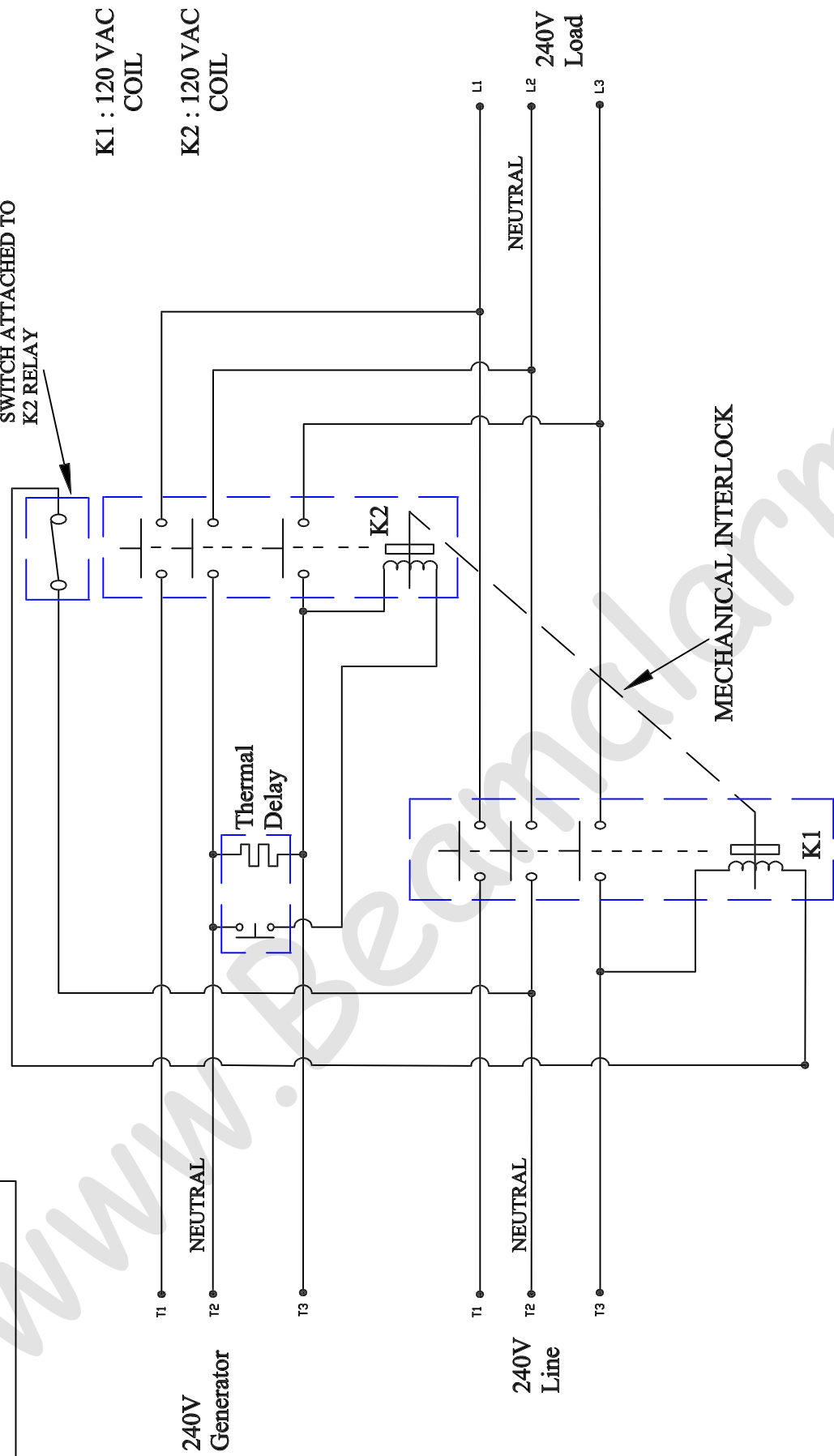


DWG. NO. ATS 50 Schematic



REV	CHANGE	DATE	DWN BY	UNLESS OTHERWISE SPECIFIED DIMENSIONS ARE IN INCHES;
A	RELEASED	8/07/01	WILL WHITE	TOLERANCES X/X=PI/64 .XXX=P.005 .XX=P.01 ↗ =POD 30'
			DES.ENG.	THIS DRAWING CONTAINS INFOR- MATION PROPRIETARY TO PARALLAX POWER COMPONENTS, LLC. ANY REPRODUCTION, DISCLOSURE OR USE OF THIS DRAWING IS EXPRESSLY PRO- HIBITED EXCEPT AS PARALLAX MAY OTHERWISE AGREE IN WRITING.
			WILL WHITE	
			QUALITY	
			MFG.ENG.	
			RELSE	
TITLE				SCALE
ATS 50 Schematic				THIRD ANGLE PROJECTION
DWG NO.				SHEET
ATS 50 Schematic				Sheet 1 of 1

